

Caution Notes

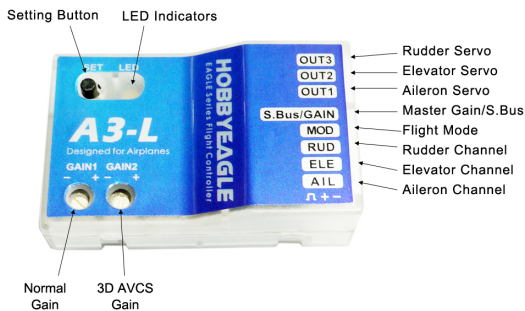
- Thank you for choosing our products. If any difficulties are encountered while setting up or operating it, please consult this manual first. For further help, please don't hesitate to contact us via email support@hobbyeagle.com.
- Please confirm the 13-bit unique product series number (S/N) on the bar code label when purchasing. This number can be verified at our website <http://www.hobbyeagle.com> and it is also required in the after-sale service, please keep it securely!
- Before power on, put the aileron, elevator and rudder sticks in the middle position. The gyro will perform self-calibration and stick centering after you plugging the battery, the LED will keep blinking Blue rapidly for about 3 seconds while calibrating, don't move the plane and the sticks until the initialization is done.
- It's extremely important to verify that the gyro reacts in the correct direction before flight, or it could lead to losing control or even crash during flight!
- You need to restart the gyro after changing the receiver type to make new setting take effect.
- Never use the delta-wing or V-tail mixing functions of your transmitter.
- A3 supports a wide working voltage from 5 to 8.4V, HV receiver or servo can be used directly.
- The radio control models are not toys. The propellers rotate at high speed and pose potential risk, please carry out debugging and flying in open space far away from the crowd. The beginner should be directed by someone experienced.

Features

- 3 Flight Modes: **Normal**, **3D Flight** and **Gyro Off** modes.
- 3 Wing Types: **Standard**, **Delta-wing (Flying-wing)** and **V-tail**.
- 3 working frequencies for servos: **50Hz**, **125Hz** and **250Hz**;
- Separated gain adjustment for each flight mode.
- Automatic stick centering.
- HV (8.4V) operating voltage supported.
- Futaba S.Bus / S.Bus 2 supported.
- Easy to use, well-suited to beginners.

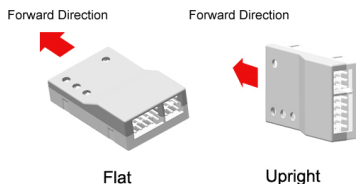
Specifications

Input Voltage: 5 to 8.4V
 Servo Travel: 1520 ± 500µs
 Gyroscope: ± 2000dps
 Operating Temp: -40 °C ~ 85 °C
 Size: 43 × 27mm
 Weight: 11 g



Installation

The gyro must be firmly mounted on the platform of the airframe by using the provided double-sided tape, as close to the CG as possible. The gyro can be attached flat or upright. In the example on the right, we just show you 2 ways of many different orientations. You only need to ensure that the servo connector pins always point toward the front (or rear) of the plane.

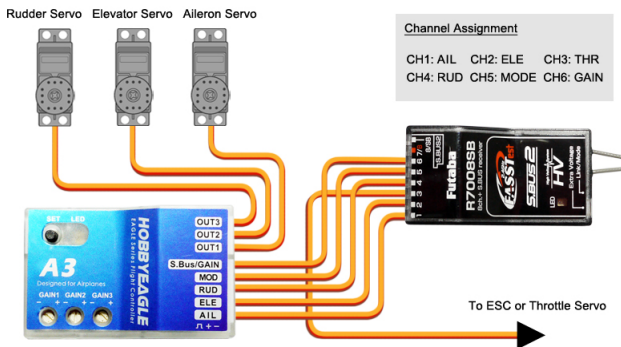


Connection

Standard Receiver

If a standard receiver is being used, you just need to connect the corresponding channels to the pins AIL, ELE, RUD, MOD and GAIN using the included receiver wires. The aileron, elevator and rudder should be always connected or it could not work. The MOD is used for flight mode control, if you don't connect it the flight mode will be set to normal as the default. The GAIN is used to adjust the master gain remotely. If you don't connect it the gain will be set to 100% all the time as the default. Wiring is as shown in the figure below.

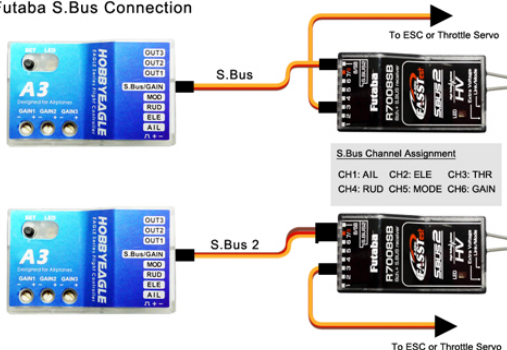
Standard Receiver Connection



Futaba S.Bus

The Futaba's S.Bus and S.Bus2 is also supported by A3-L. Because the S.Bus is a single-line solution all channels are transmitted via one single line you need to establish the first 6 channels in the correct order in your transmitter before use. Here we use a R7008SB receiver as an example because it supports both S.Bus and S.Bus 2. You need to change the mode for the R7008SB before using its S.Bus outputs, please refer to the manual of it.

Futaba S.Bus Connection

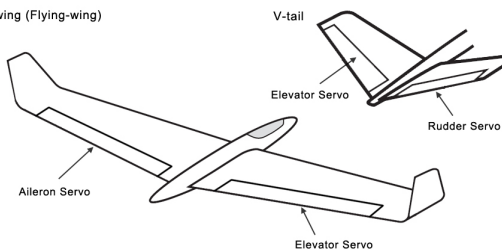


Delta-wing & V-tail

Never use the delta-wing and V-tail mixing functions of your transmitter, all you need is to choose a single 4-channel fixed-wing model in your radio any time. The right figure shows the servo connections for a delta-wing or V-tail.

Delta-wing (Flying-wing)

V-tail



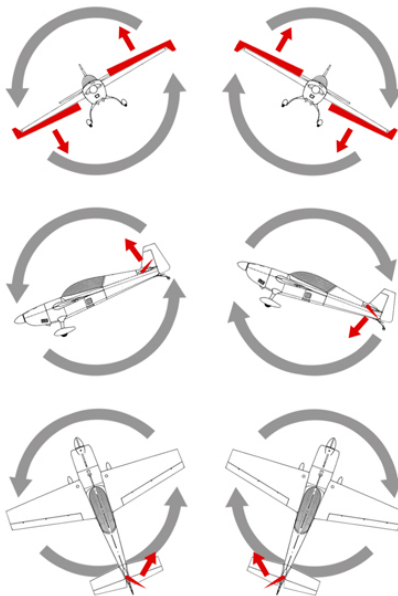
Flight Modes

A3-L Supports 3 flight modes, you can switch between them using a 3-way switch on the transmitter. But if you are using a 2-way switch instead then you can only use 2 of them during flight. The color of the LED shows you that the flight mode currently selected, as shown below.

	Flight Mode	Switch Position	Colors of LED	Descriptions
1	Normal Mode	POS-1	Blue	Normal Stabilization Mode
2	Gyro Off Mode	POS-2 (Middle)	OFF	Gyro deactivated mode
3	3D Flight Mode	POS-3	Red	AVCS Mode designed for 3D flight

Gyro Directions

It's extremely important to verify that the gyros of all channels are reacting in the correct direction before flight, otherwise it could lead to losing control or even crash during a flight! To perform the examination, power on the plane, pick it up and check by following the steps in the figures on the right. If the gyro compensates in an incorrect direction, reverse it at once!



Aileron

Quickly move the right wing downward around the roll axis. The right aileron surface should flap down and the left flap up.

Elevator

Quickly move the nose of the plane downward around the pitch axis. The elevator surface should flap up.

Rudder

Quickly move the nose of the plane to the left around the yaw axis. The rudder surface should flap right.

Setting Methods

Setting Menu

Press and hold down the button for more than 2 seconds (long press), release it when the LED starts to blink Blue&Red rapidly. In the setting menu, the LED should be blinking Blue&Red for N times in a loop with the sequence by the chart below. N stands for the number of the setting function.

Functions

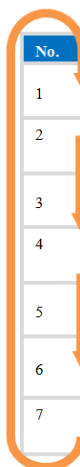
When you reach the function that you wish to operate in, quickly press the button once (short press) to enter it.

Parameters

After entering a function, the color of the LED shows you the settings currently selected. Each short press of the button advances the option to the next value. When you finish making your selections, just wait for 5 seconds then system will save the modified and back to the setting menu automatically. The colors corresponding to the options for each item are as shown in the chart below. (* is the default setting).

Exit Setting Mode

When back to the menu, long press the button again to exit the setting mode.



No.	Functions	Blue	Red	Blue & Red
1	Wing Type ✳	*Standard	Delta-wing	V-Tail
2	Aileron Gyro Direction ✳✳	*Normal	Reversed	—
3	Elevator Gyro Direction ✳✳✳	*Normal	Reversed	—
4	Rudder Gyro Direction ✳✳✳✳	*Normal	Reversed	—
5	Servo Frequency ✳✳✳✳✳✳	*50Hz	125Hz	250Hz
6	Receiver Type ✳✳✳✳✳✳✳✳	*Standard Receiver	S.Bus	S.Bus 2
7	Mounting Orientation ✳✳✳✳✳✳✳✳✳✳	*Flat	Upright	—

Stick Centering

A3-L will perform a stick centering automatically every time it starts, so a manual centering is no longer needed. You just need to keep all the sticks (except for the throttle) in their middle position before power on the controller, and don't move them while initializing. If the servos drift to one side slowly when switching to 3D mode, you can easily perform a centering by fast toggling the mode switch twice within 1 sec, it has the same effect as if you restart it.

Gain Adjustment

There are 2 knobs on the gyro (GAIN1 and GAIN2), they are used to adjust the gyro gain for each flight mode separately. Clockwise for increase, anticlockwise for decrease. The gain is affected by many factors there is no standard answer to that how much it should be. You need to fine-tune to get the best result during flights. We suggest you always start with a lower volume for the first flight and then increase it gradually. **The normal gain (Basic Gain) (GAIN1) will take effect in all flight modes, it's the most basic feature of the gyro, don't turn it to 0% anyway.**

Remote Master Gain

The GAIN is used to control the master gain remotely. You can make a linear adjustment by using a knob or slider on your transmitter, or make a 3-level gain control using a 3-way switch. The master gain is just an optional channel that the gyro can still work properly without connecting this channel.

Device Reset

Press and hold the button while power on the gyro, you will see both Blue and Red LED turn on. Keep holding the button for more than 4 seconds and don't release it until you see the LED flashes Blue & Red twice, which indicates that all the settings have been restored to the factory default.

*** Voltage Protector**

After installing the gyro, the servos will move more frequently than before, it is highly recommended that a reliable UBEC or ESC be used to provide sufficient working current for the servos on the plane, otherwise the gyro may become unstable by an occasional voltage drop. A large capacitor (3300uF/16V) can be used to get a more stable and secure voltage level. You just need to simply plug it into any open slot of the gyro or the receiver.

