

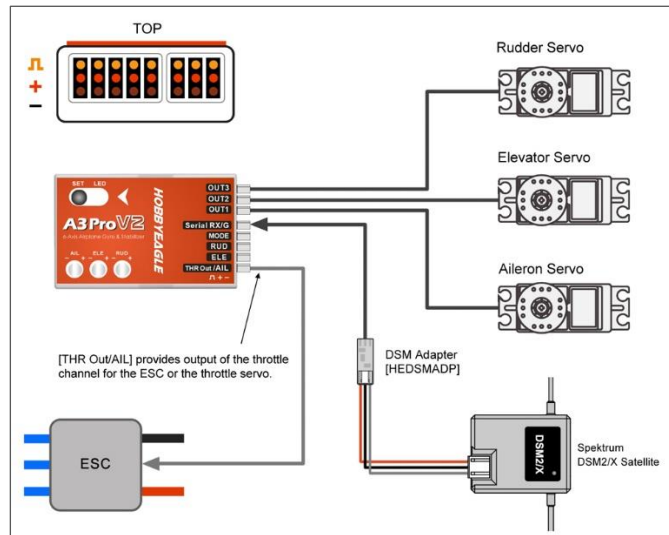
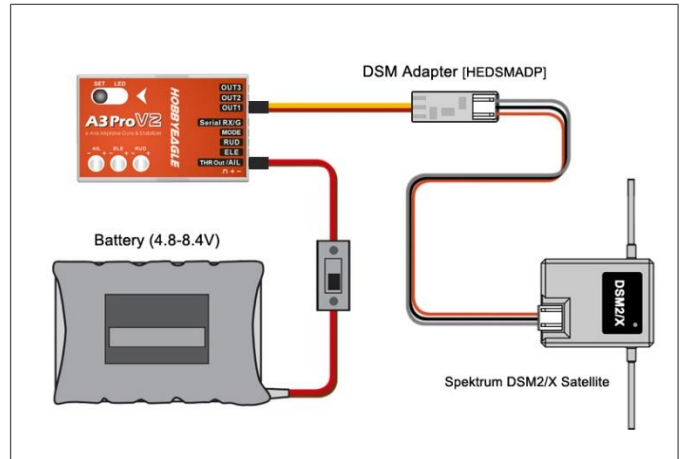
SATELLITE CONNECTION

If you are going to use a Spektrum DSM2/X satellite for A3 Pro V2, the following adapter [HEDSMADP] is required to make the connection between the satellite and the gyro.

Connect the satellite to the adapter then insert the adapter to the [Serial RX/G] terminal of the gyro, connect the servos by following the illustration below.



Power up the gyro while pressing the button to enter the *Receiver Menu*, change the receiver type to *DSM2/X 1024(Yellow)* or *DSM2/X 2048(White)*.



⚠ About the Resolution

Spektrum's radio has 2 resolutions: *DSM2/X 1024* and *DSM2/X 2048*. It depends on the transmitter, however, as we know, most newer models use 2048 resolution now. If you are unsure which resolution is being used by your equipment, just try both.

BINDING PROCEDURE

If you have a Spektrum receiver we suggest you bind the satellite with the receiver following the binding procedure of Spektrum's instruction, which makes the binding easier. The satellite can be removed from the receiver and used as a stand-alone serial receiver with our gyro after being successfully bound. However, A3 Pro V2 also provides an approach to bind the satellite directly without a Spektrum receiver, please follow the procedure below:

Before binding, connect the satellite to the [OUT1] terminal of A3 Pro V2 by using the adapter.

A battery or an ESC is required to power up the gyro in the following steps.

- 1) While pressing the button, power on the gyro, release the button when the LED turns solid Violet, this will bring you into the *Receiver Menu*.
- 2) In the *Receiver Menu*, short press the button when the LED is flashing 8 times to enter the setting of *DSM Bind Option*. Choose *DSM2(Green)* or *DSMX(Blue)* and wait for 5 seconds to save the changed. Remove the battery from the gyro.
- 3) Press and hold the button and power up the gyro again, both the LED on the gyro and the satellite will begin to blink Yellow quickly which indicates that the satellite has been led into bind mode.
- 4) Turn on the transmitter while holding the Bind button on the transmitter and wait for the bind process to complete.
- 5) After binding is completed, press and hold the button on the gyro for about 2 seconds, release the button when the LED turns solid Yellow, this operation will reset the setting of *DSM Bind Option* back to *None* automatically.
- 6) Lastly, do not forget to connect the satellite back to the [Serial RX/G] terminal of the gyro. Re-power the gyro and operate the servos to confirm that communications have been established.

⚠ NOTES

1. The adapter needs to be connected to the [OUT1] terminal of the gyro when binding.
2. If the satellite is not able to enter bind mode, try to repeat the procedure of step 3. Before retrying, you have to remove the battery from the gyro first.
3. In step 2, you can choose either *DSM2* or *DSMX* if a DSMX satellite is being used, it depends on which protocol you wish to bind to the transmitter. But the DSM2 satellites only support the DSM2 bind mode.
4. By testing, most satellites can be bound successfully by following the procedure above, however, if the binding still keeps failing, it is recommended to bind it with a Spektrum's receiver.